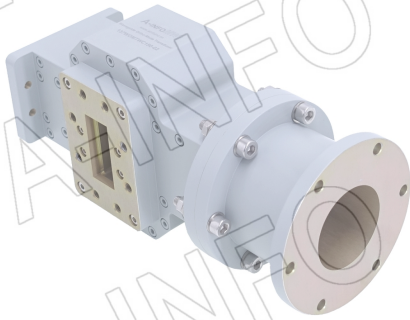


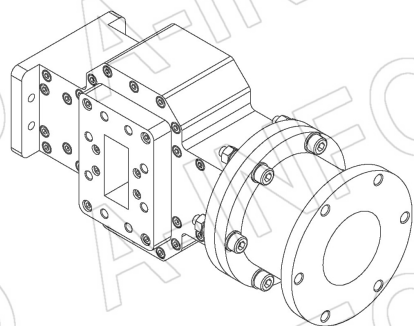
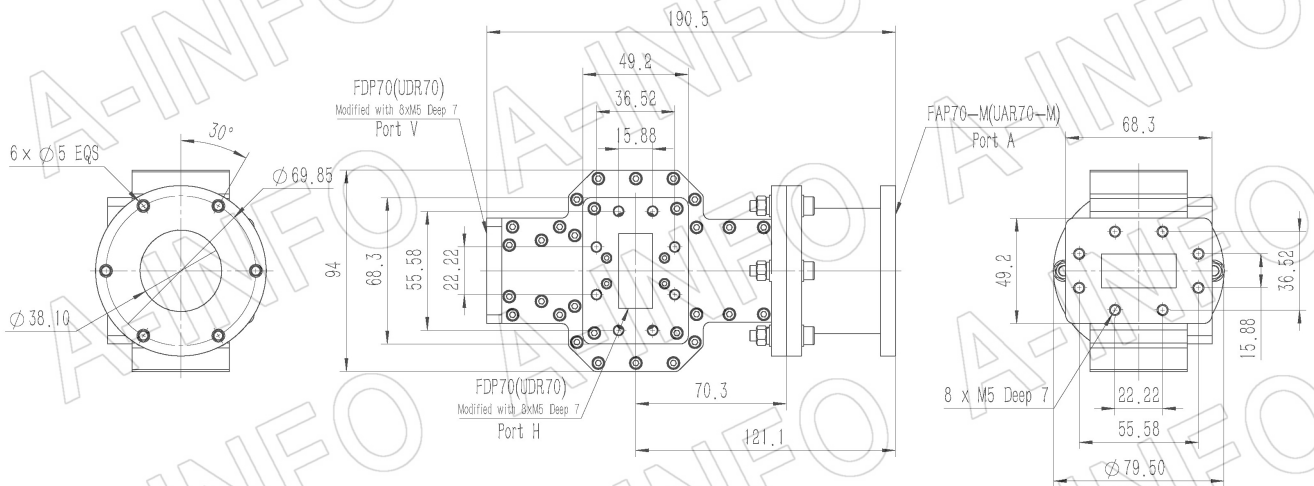
For reference only. See data sheet for the detailed specifications.

Technical Specification



EIA WR	WR137
Frequency Range(GHz)	5.85 – 8.20
Bandwidth	Full
Common Port	38.1mm/ 1.5" Circular WG
Insertion Loss(dB)	0.35 Max.
VSWR	1.30:1 Typ.
Cross Pol. Isolation(dB)	50 Typ.; 40 Min.
Port to Port Isolation(dB)	40 Min.
Common Port Flange	FAP70-M(UAR70-M)
Flange	FDP70(UDR70) (Modified with 8xM5 Deep 7)
Material	Al
Finish	Chemical Conversion Coating, Gray Paint
Size(mm)	190.5 x 79.5 x 93.98
Net Weight(Kg)	1.21 Around

Outline Drawing (Size: mm)



AINFO Inc.

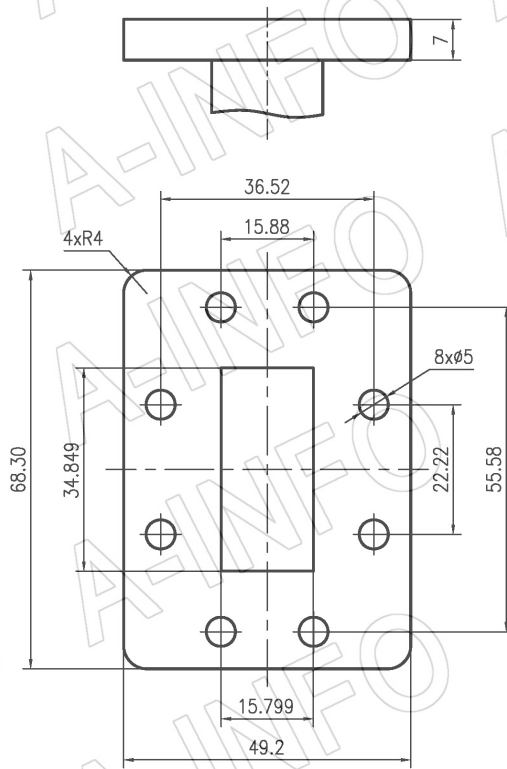
China(Beijing): Tel: (+86) 10-6266-7326,
China(Chengdu): Tel: (+86) 28-8519-2786,
USA: Tel: (+1) 949-639-9688,

Page 1 of 5

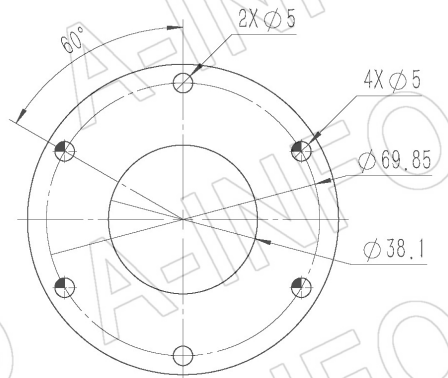
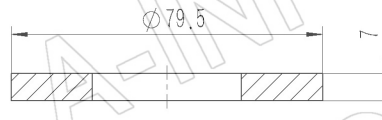
(+86) 10-6266-7327 Fax: (+86) 10-6266-7379
(+86) 28-8519-3044 Fax: (+86) 28-8519-3068
(+1) 949-639-9608 Fax: (+1) 949-639-9670

Website: www.ainfoinc.com
Email: sales@ainfoinc.com

Flange Drawing (Size: mm)



FDP70



FAP70-M

AINFO Inc.

China(Beijing): Tel: (+86) 10-6266-7326,
China(Chengdu): Tel: (+86) 28-8519-2786,
USA: Tel: (+1) 949-639-9688,

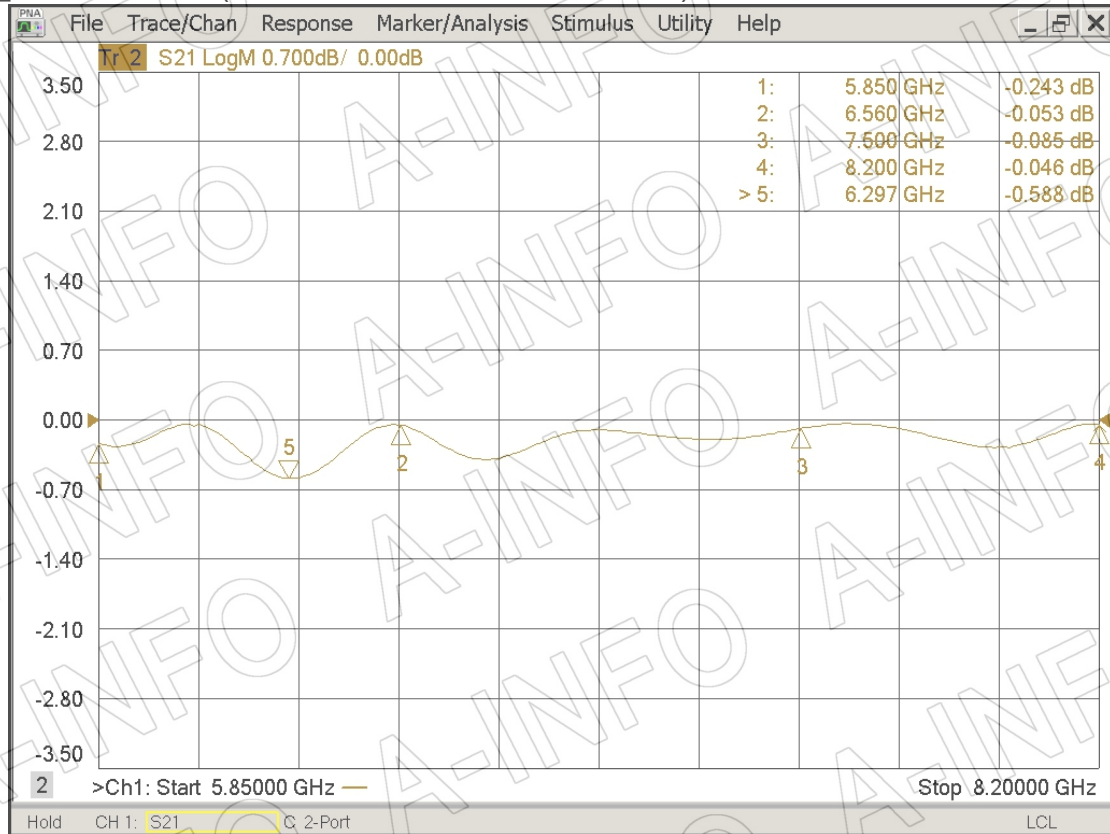
Page 2 of 5

(+86) 10-6266-7327 Fax: (+86) 10-6266-7379
(+86) 28-8519-3044 Fax: (+86) 28-8519-3068
(+1) 949-639-9608 Fax: (+1) 949-639-9670

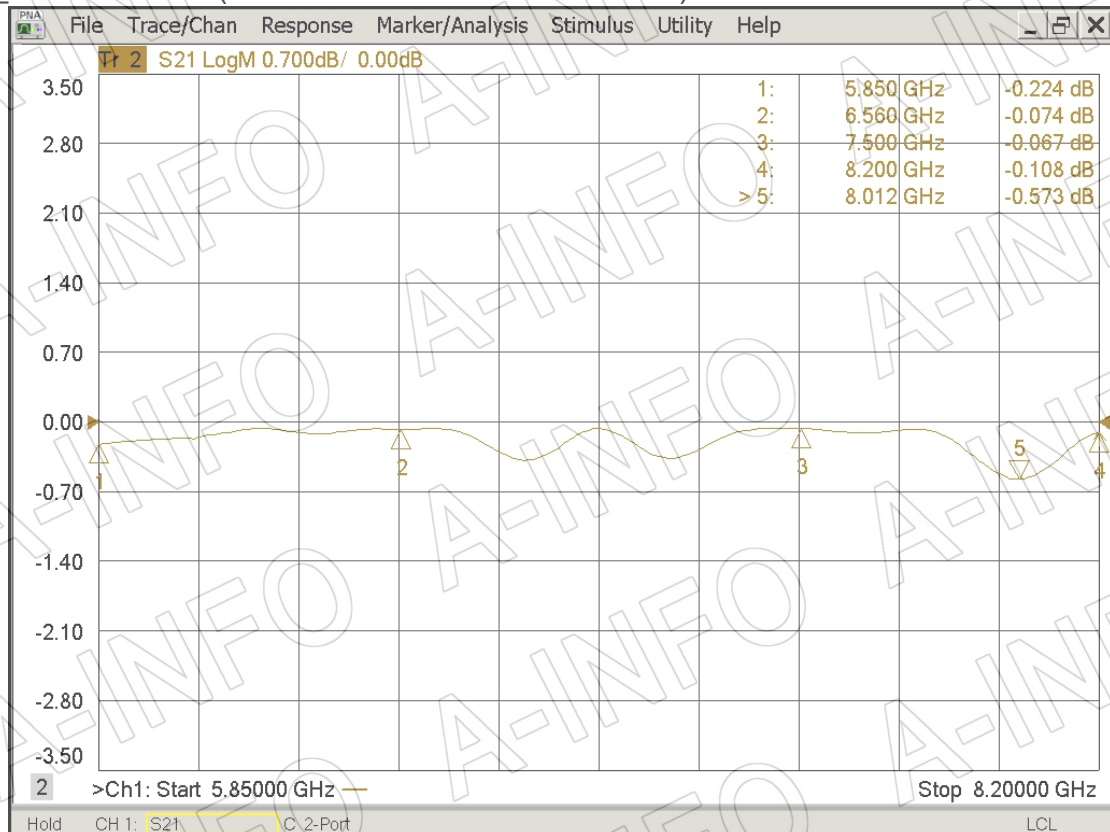
Website: www.ainfoinc.com
Email: sales@ainfoinc.com

Test Results

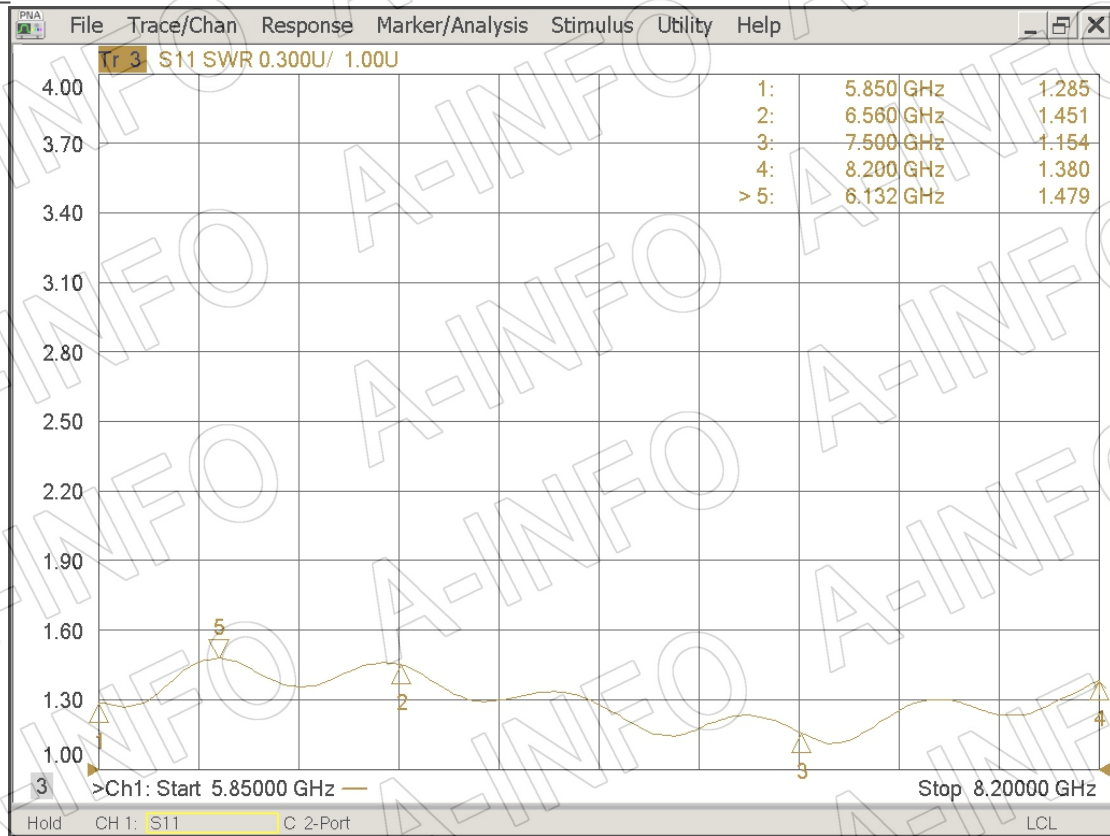
Port H Insertion Loss(Test with two OMT back to back)



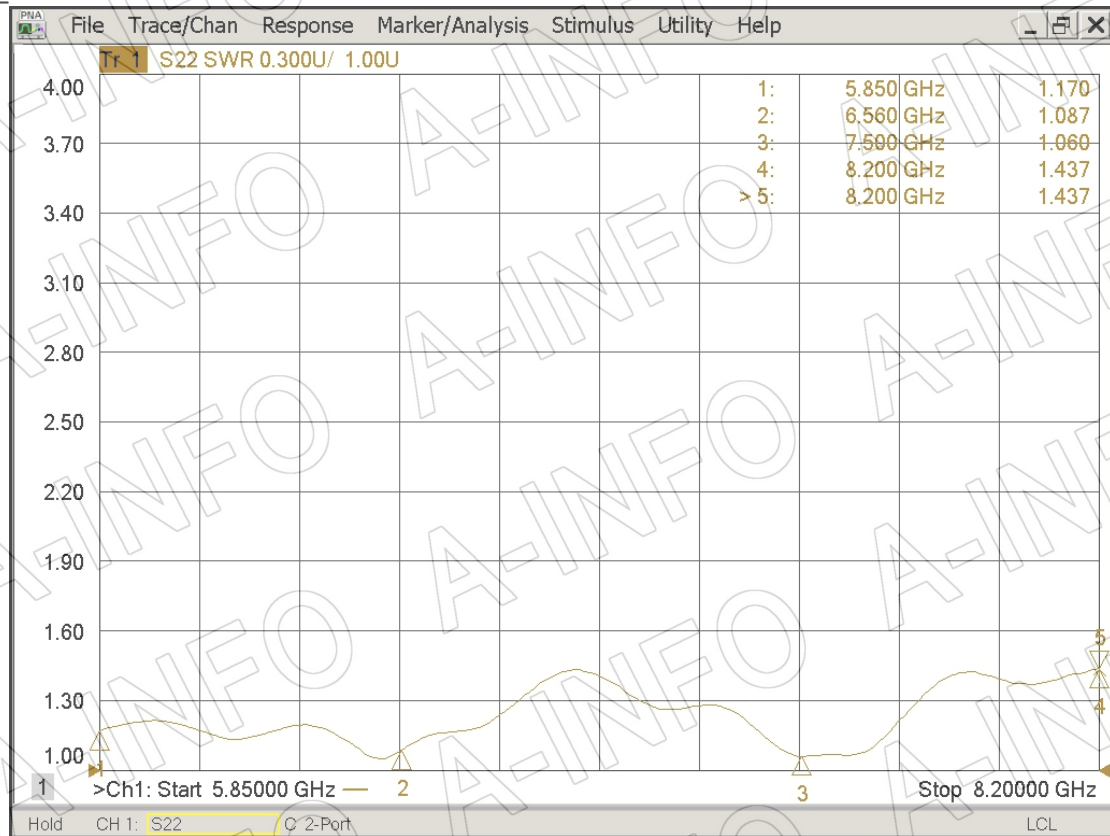
Port V Insertion Loss(Test with two OMT back to back)



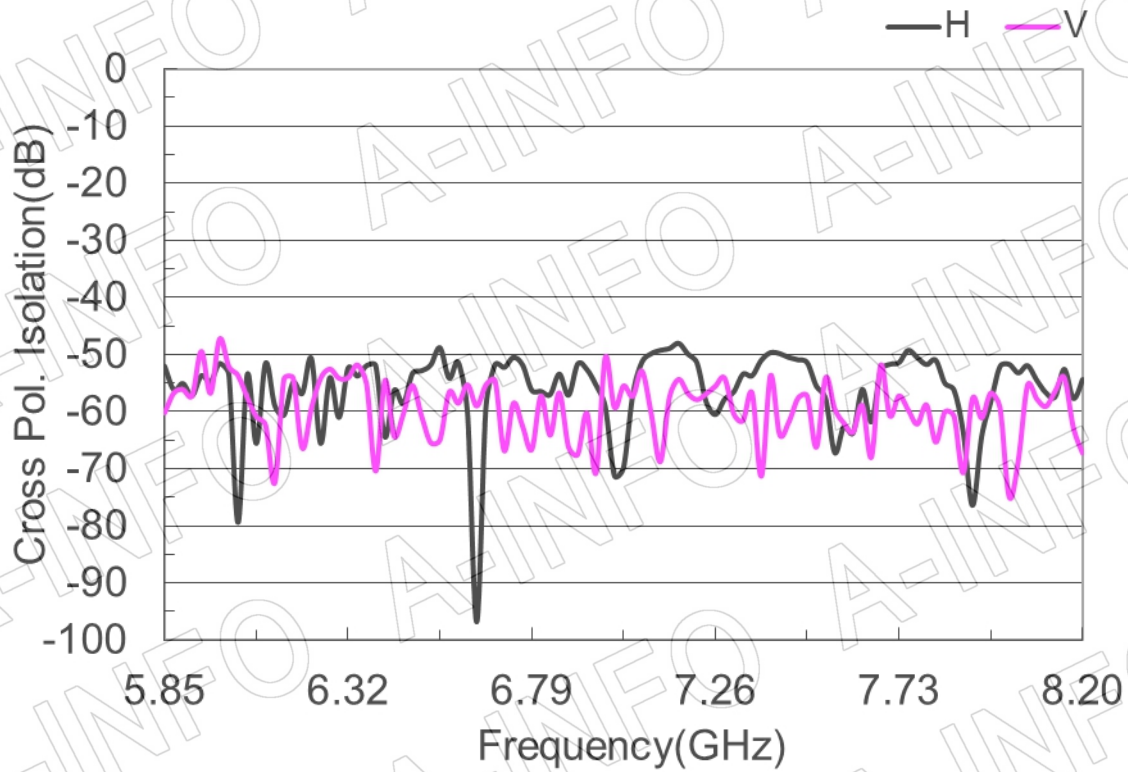
Port H_VSWR



Port V_VSWR



Cross Polarization Isolation



Port to Port Isolation

